



# Cangzhou Changyuan Fittings Co.,Ltd

Cast plant:No.26 Shigang Road,Development Zone,Cangzhou ,Hebei,China Pc:061000

Head office:No.33 Jiuhe East Road,Development Zone,Cangzhou ,Hebei,China Pc:061000

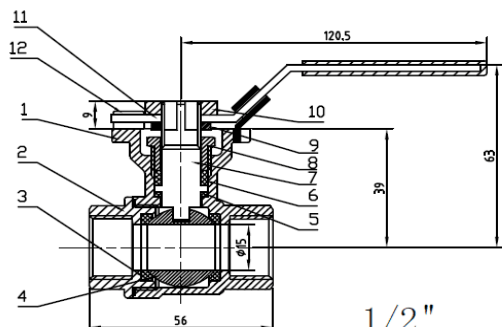
[Http://www.con-well.com](http://www.con-well.com) email:con-well@vip.163.com

## 2PC BALL VALVE WITH MOUNTING PAD ISO5211 (FULL PORT) (mm)

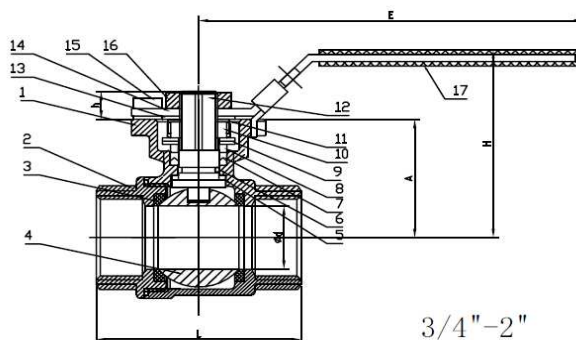
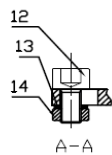
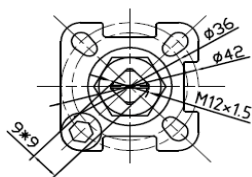


### FEATURES:

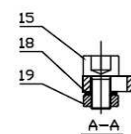
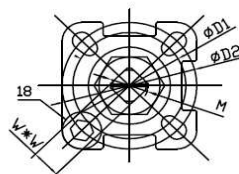
- Working pressure:1000PSI(PN64).
- Working temperature:-10°C to 150°C.
- Suitable medium:W.O.G.
- Thread: BSP,BSPT,DIN,NPT,ISO228,ISO7/1
- PED97/23/EC(CE0038)Approved.
- Inspection Testing:API598,EN12266.



1/2"



3/4"-2"



Size	A	H	h	W	L	D2	D1	d	E	M
1/2"	63.0	39.0	9.0	9.0	56.0	42.0	36.0	15.0	120.5	M12*1.5
3/4"	65.5	41.5	9.0	9.0	64.0	42.0	36.0	20.0	120.5	M12*1.5
1"	73.5	47.0	11.0	11.0	76.0	50.0	42.0	25.0	140.0	M14*1.5
1 1/4"	78.5	52.0	11.0	11.0	86.5	50.0	42.0	32.0	140.0	M14*1.5
1 1/2"	93.0	62.0	14.0	14.0	97.5	70.0	50.0	38.0	170.0	M18*1.5
2"	102.0	71.0	14.0	14.0	117.5	70.0	50.0	50.0	170.0	M18*1.5

### MATERIAL LIST (3/4"~2")

ITEM	DESCRIPTION	MATERIAL
1	BODY	CF8/CF8M
2	CAP	CF8/CF8M
3	BALL SEAL	RPTFE
4	BALL	304/316
5	STEM PACKING	RPTFE
6	O-RING	NBR
7	V-RING PACKING	PTFE
8	GLAND	304
9	SPRING WASHER	301
10	STEM NUT-I	304
11	STEM'S LOCK WASHER	304
12	STEM	304/316
13	WASHER	301
14	HANDLE	304
15	STOP PIN	304
16	STEM NUT-II	304
17	PLASTIC COVER	PLASTIC
18	WASHER	304
19	NUT-II	304

### MATERIAL LIST (1/2")

ITEM	DESCRIPTION	MATERIAL
1	BODY	CF8/CF8M
2	CAP	CF8/CF8M
3	BALL SEAL	RPTFE
4	BALL	304/316
5	STEM PACKING	RPTFE
6	RING PACKING	PTFE
7	STEM	304/316
8	GLAND	304
9	WASHER-I	304
10	NUT-I	304
11	HANDLE	304
12	STOP PIN	304
13	WASHER-II	304
14	NUT-II	304